

sales@fli.co.uk

01452 722200

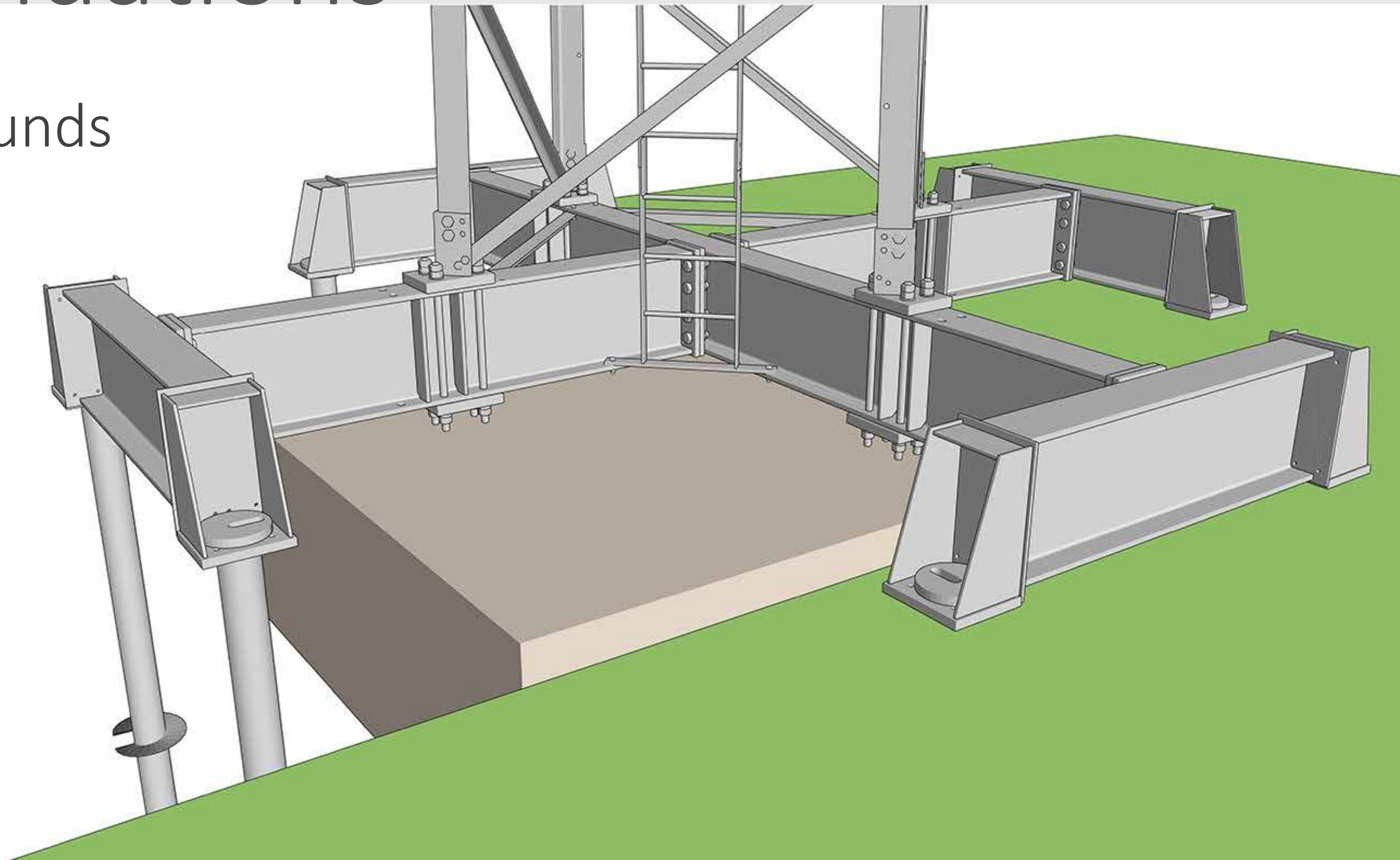
FLI structures

5G Tower Foundations

Fits within existing compounds and infrastructure.

Fast Installation.

Design, supply & install by FLI.



sales@fli.co.uk

01452 722200

FLI structures

Screw piles & Micropiles



Screw piles or micropiles, with grillages are superfast to install, with a complete foundation in place in as little as two shifts. This will limit trackway and other site costs, while reducing outages as the piles can be installed with the existing tower still in place.



sales@fli.co.uk

01452 722200

FLI structures

Compact Grillages

5G towers without enlarging sites.

Bigger towers need bigger concrete foundations, which need larger sites or extensions to existing sites.

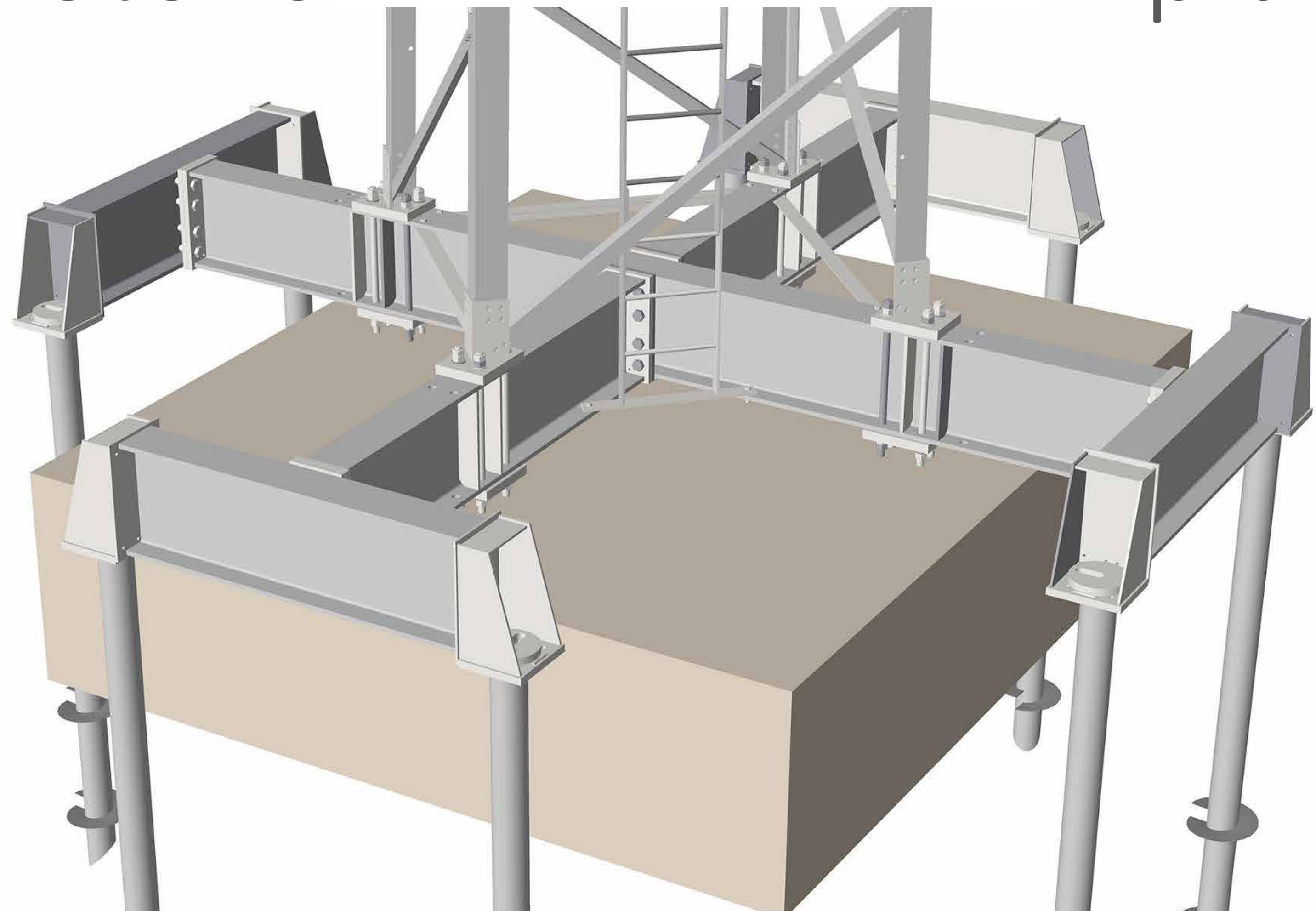
FLI's steel grillage and screwpile foundations are narrower than their equivalent in mass concrete. So our foundations can normally be accommodated within existing site boundaries.



Existing concrete foundation left in place

Breaking out and removing the existing foundation is expensive.

FLI's grillages with screw piles or micropiles span the existing base and enable the superceded foundation to remain. In some cases, the existing structure can be utilised to reduce pile forces when required.



sales@fli.co.uk

01452 722200

FLI structures

Bridge existing services or obstructions

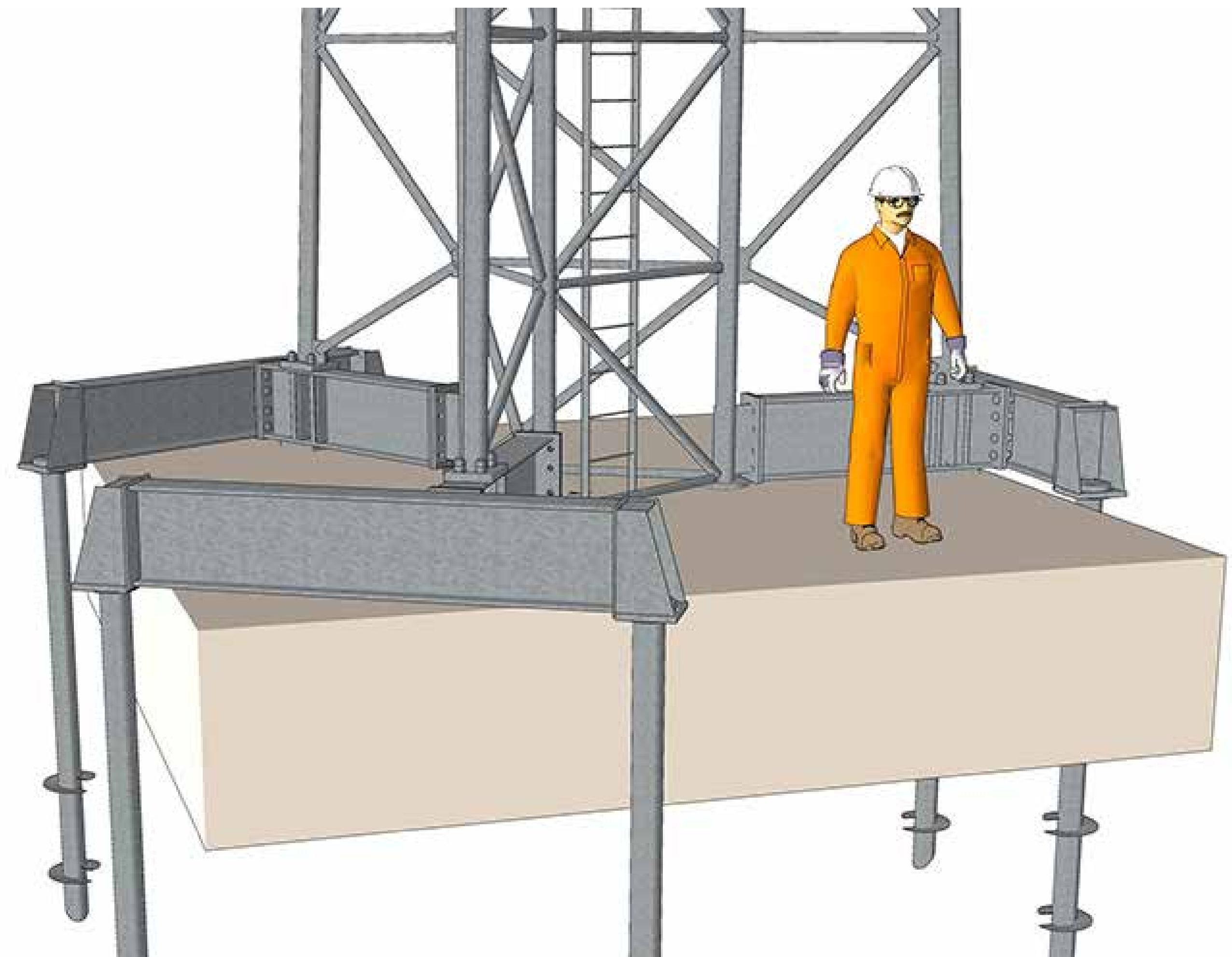
As well as off-the shelf designs for quick call off, FLI produce bespoke solutions for very tight sites or bridging buried services, removing the need to re-route cables.



Upgrade high load towers to multi-user

FLI's new high capacity 5G tower, the T3A, can be upgraded to multi-user capacity without interrupting service by extending the tower on grillages bridging the concrete foundation.

This means there is no need to pay for a multi-user tower, until you need it.



sales@fli.co.uk

01452 722200

FLI structures

Grillages for Monopoles

Reduces timescales (outage time and build).

Option of mounting cabinets on the grillage.

Sustainable foundation solution, easily removed and 100% recyclable.



Grillages for Streetworks Monopoles

Screwpile foundations are designed by FLI's geotechnical engineers taking account of the ground conditions, to withstand vehicle impact loads and wind loading on the pole.

FLI can provide various designs to overcome the limitations of root foundations, either by fitting in between or bridging over buried services.

Foundation options for different overturning moments

Single screwpile: OTM up to 80KNm

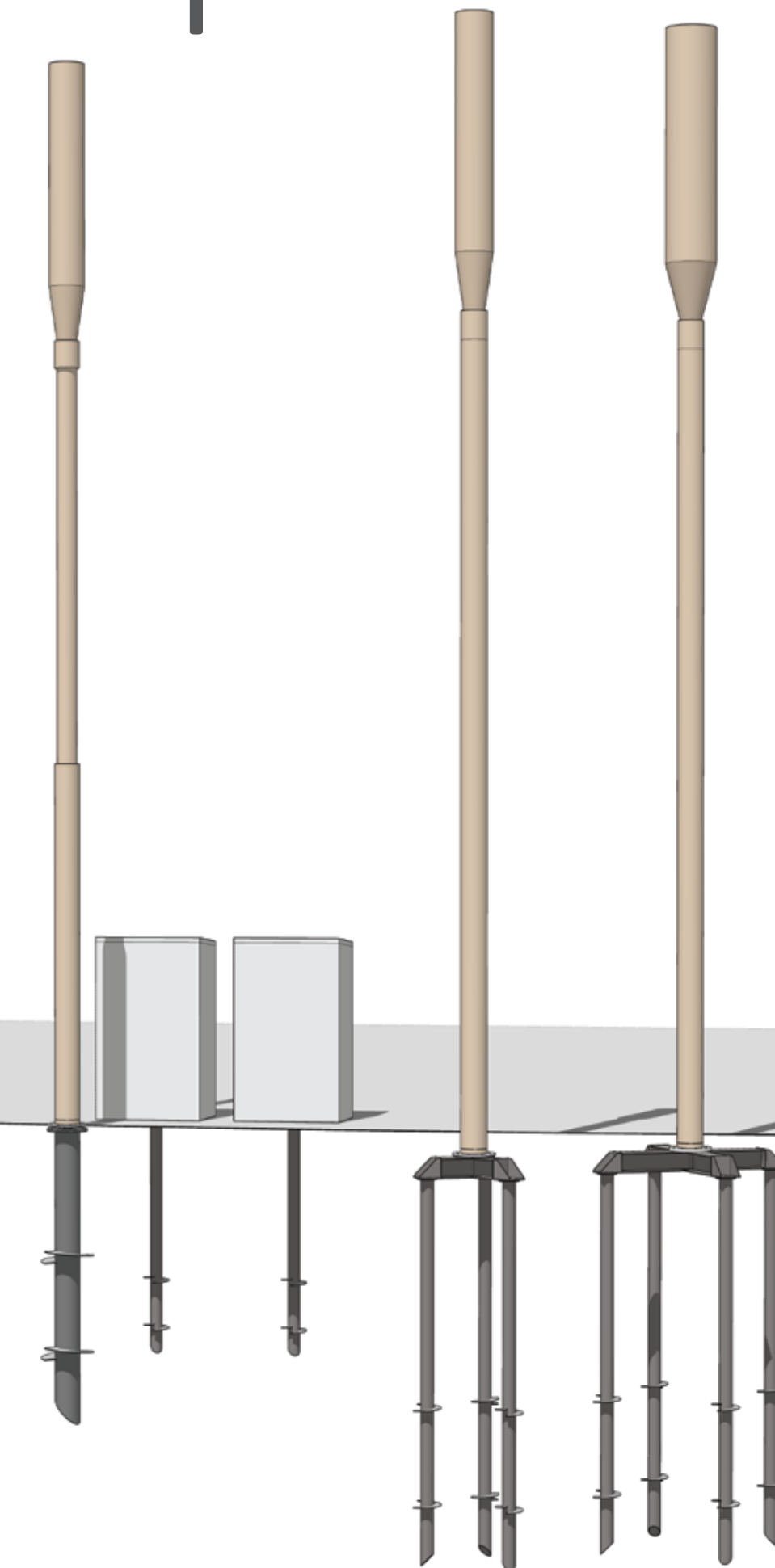
Triple pile grillage: OTM up to 110KNm

4 Pile grillage: OTM up to 200KNm

Single screwpile.

Triple pile grillage to bridge services.

4 pile grillage for larger overturning moments.



FLI structures

Screw piles for Streetworks Monopoles



- Replaces Root Foundations.
- Feeder management through pile.
- Minimal excavation.
- Rapid installation.
- No wet trades.
- Solutions bridge & avoid buried services.
- Designed to support monopole loadings.
- Rotational flexibility for antennas.
- Levelling devices.



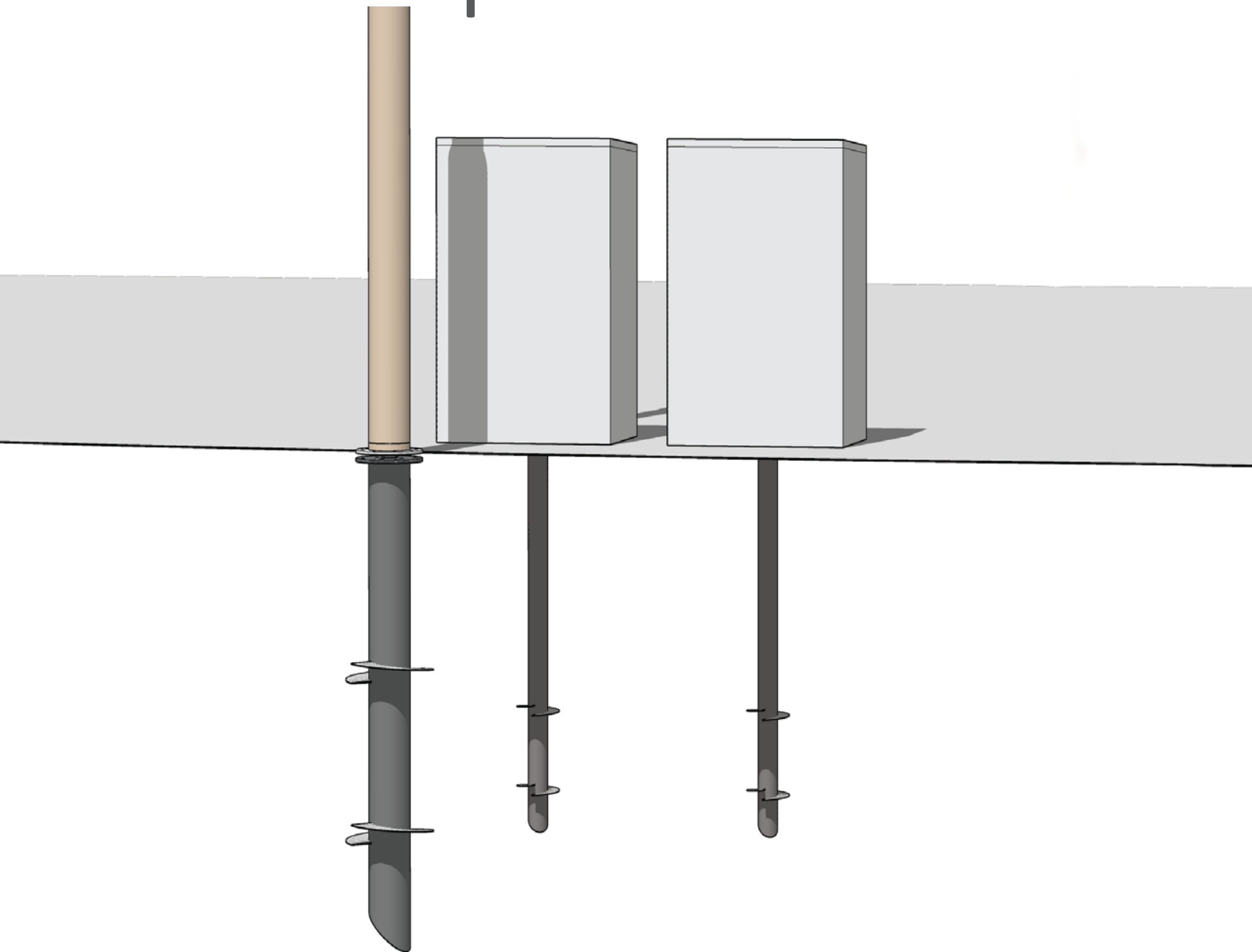
Pile cap with hold down bolts.

sales@fli.co.uk

01452 722200

FLI structures

Screw piles for Cabinets



Cabinets can be mounted on single piles.