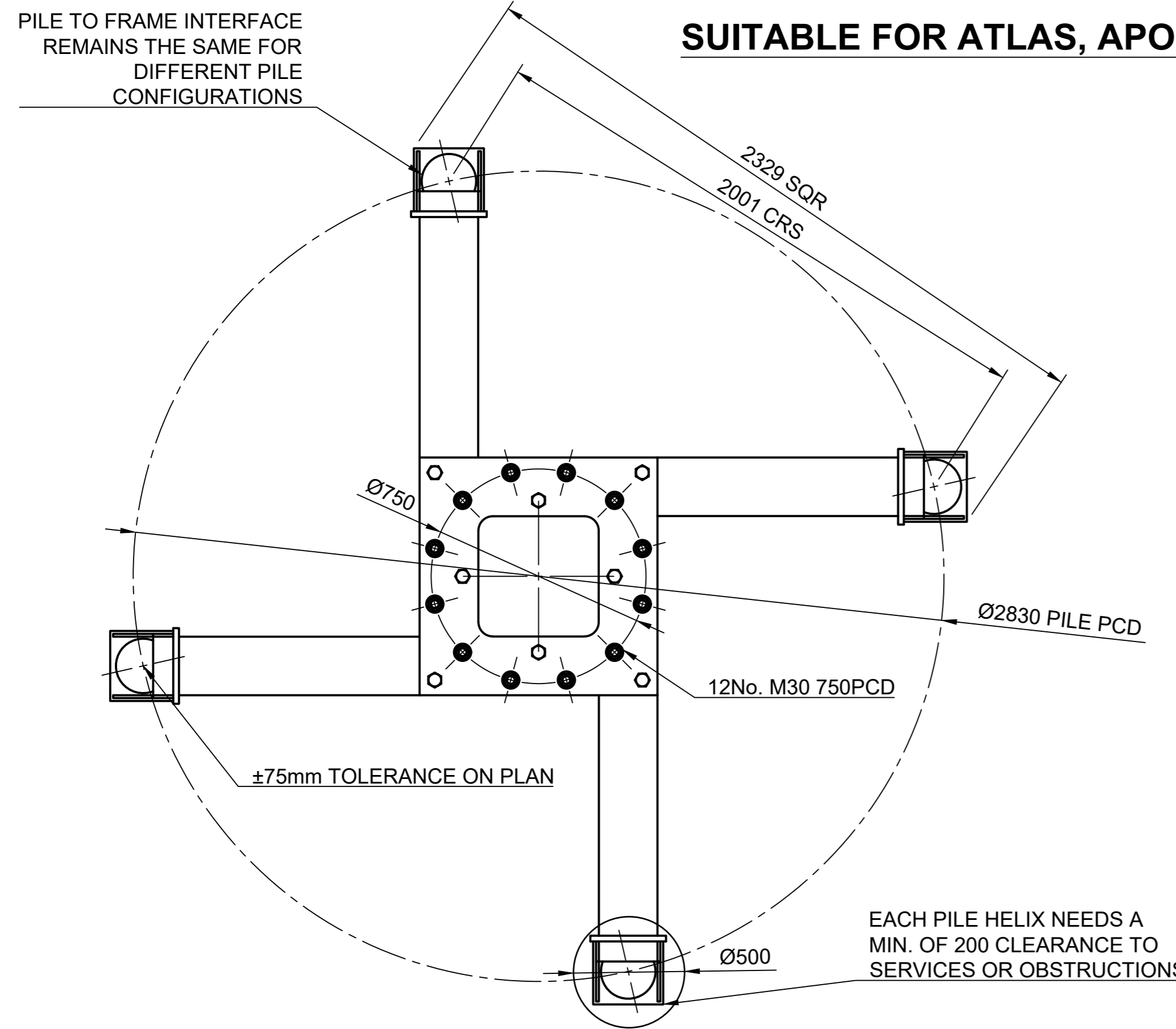


SUITABLE FOR ATLAS, APOLLO AND ORION MONOPOLES

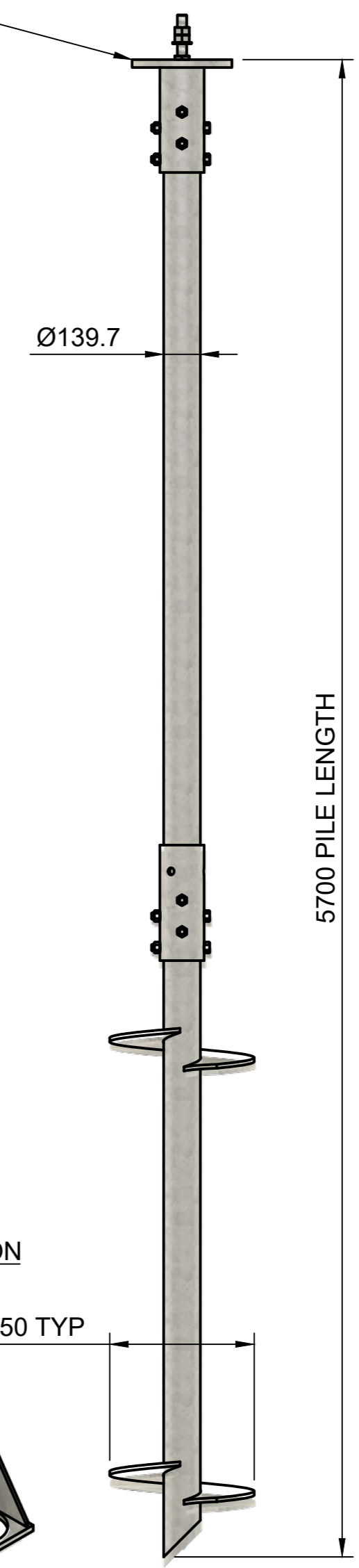


THE SAME PILE CONFIGURATION IS SUITABLE FOR BOTH 'WEAK' AND 'MEDIUM' GROUND CONDITIONS

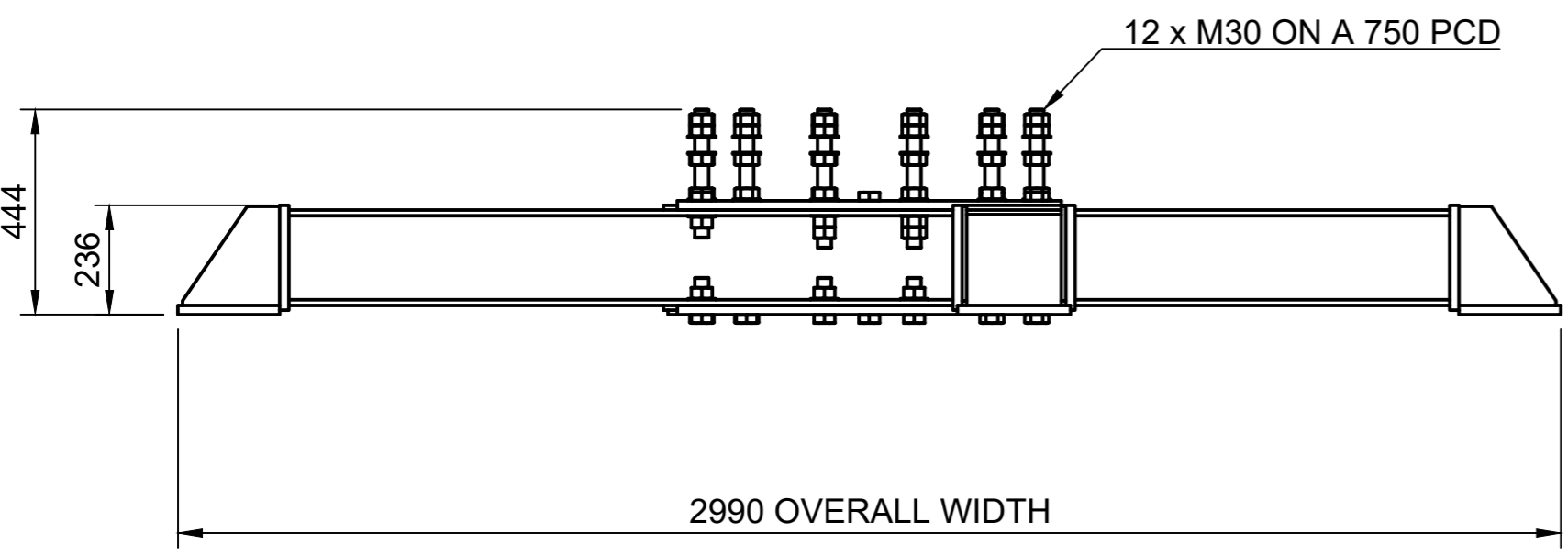
GEOTECHNICAL INVESTIGATION REQUIRED TO CONFIRM THE DESIGN AT EACH SITE

2.0m VARIATION SUITABLE FOR 'MEDIUM GROUND CONDITIONS' - EITHER COHESIVE OR NON-COHESIVE

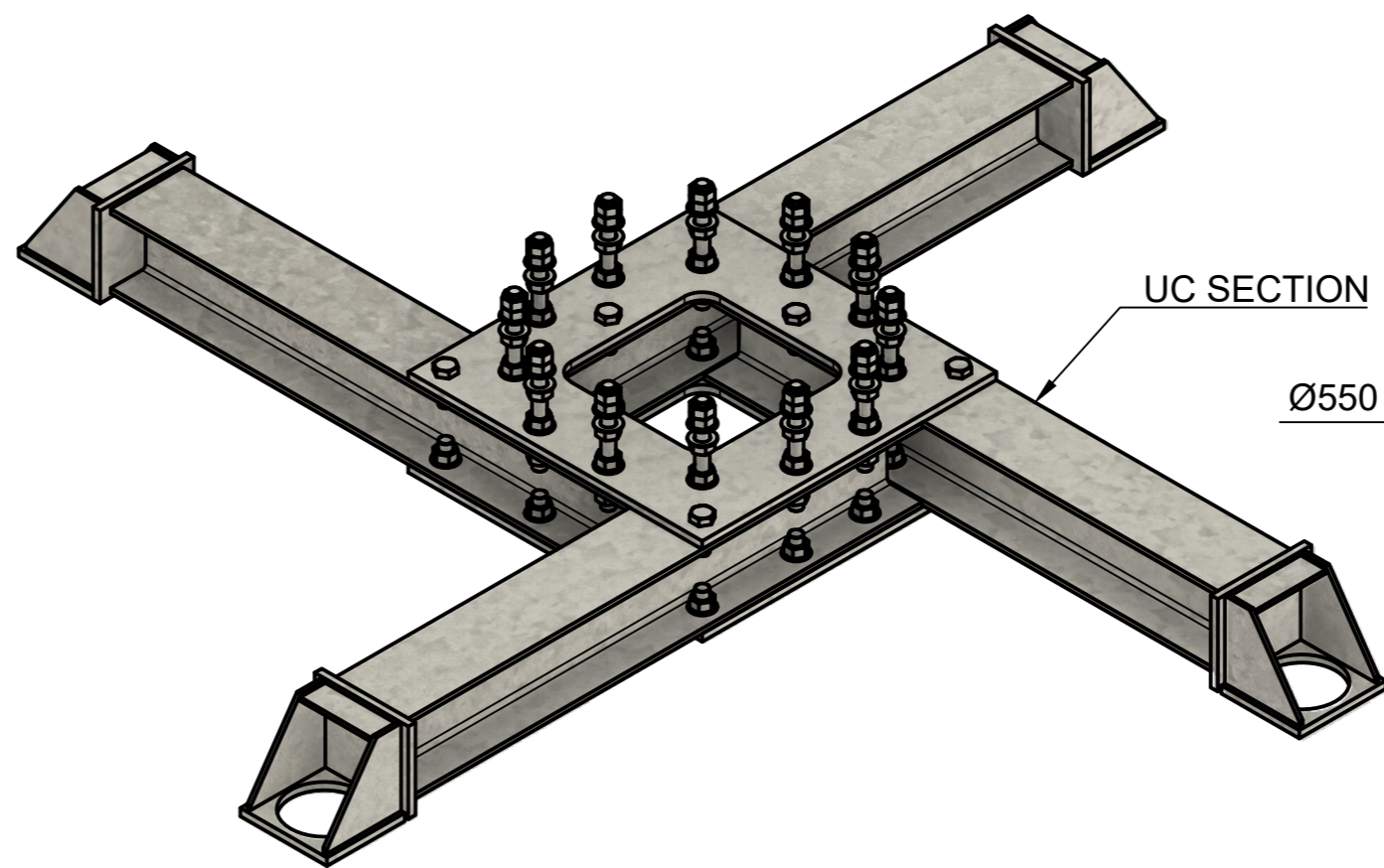
2.8m VARIATION SUITABLE FOR 'VERY WEAK GROUND CONDITIONS' - EITHER COHESIVE OR NON-COHESIVE



MAX MONOPOLE FOUNDATION LOADS		
OTM	SHEAR	VERTICAL
215 kNm	15.9 kN	36.7 kN



1.0x1.0x1.0m TRIAL HOLES REQUIRED AT EACH PILE LOCATION



3D VIEW

DO NOT SCALE IF IN DOUBT ASK

THE COPYRIGHT OF DESIGN DETAILS AND PROPOSALS CONTAINED OR IMPLIED IN THIS DRAWING ARE VESTED IN FRANCIS & LEWIS INT'L LTD. A MUST NOT BE USED, COPIED OR CONVEYED TO THIRD PARTIES WITHOUT THEIR PERMISSION IN WRITING. UNREGISTERED DESIGN RIGHTS APPLY. COPYRIGHT FRANCIS & LEWIS INTERNATIONAL LTD.

ALL WELDS TO BE CONTINUOUS I.E. 'PICKLE FREE'

REMOVE ALL SHARP EDGES AND BURRS

ENSURE ALL HARD STAMP CHARACTERS ARE VISIBLE AFTER GALVANISATION

UNLESS OTHERWISE STATED:-

MATERIAL:- GRADE AS PER FLI LTD FORM 11G
FINISH:- GALVANISED TO BS EN ISO 1461
DIMENSIONS:- MILLIMETRES (mm)
WELD INSP:- AS PER NISS LATEST EDITION ANNEX 'B'
TOLERANCES:-
CUT LENGTH = ±2mm
HOLE CENTRES = ±2mm
ANGULAR CUT = ±0.25°
FABRICATED ASSY = ±3mm
PCD = ±1mm

CERTIFIED TO EXECUTION CLASS EXC2

NON PRELOADED BOLTING ASSEMBLIES TO BS EN 15048-1

NOTES:-

ISSUE	DATE	MODIFICATION	CHKD
E	09/08/24	LOAD UPDATE	HN
D	10/05/24	PILE UPDATE	HN
C	19/04/24	UPDATE	HN
B	28/02/24	ADDED INFO	JT
A	15/12/23	FIRST ISSUE	-

DATE:	28/02/24	SCALE:	NTS	F&L REF.:	-
DRN:	HN	CKD:	-	APPD:	-



CUSTOMER	CORNERSTONE
ORDER No.	----
TITLE	STREETWORKS MONOPOLE DESIGN PROPOSAL - 2.0m OR 2.83m PCD VARIATIONS FOR 'WEAK' AND 'MEDIUM' GROUND
DRG No.	GEN-MON-ED-01