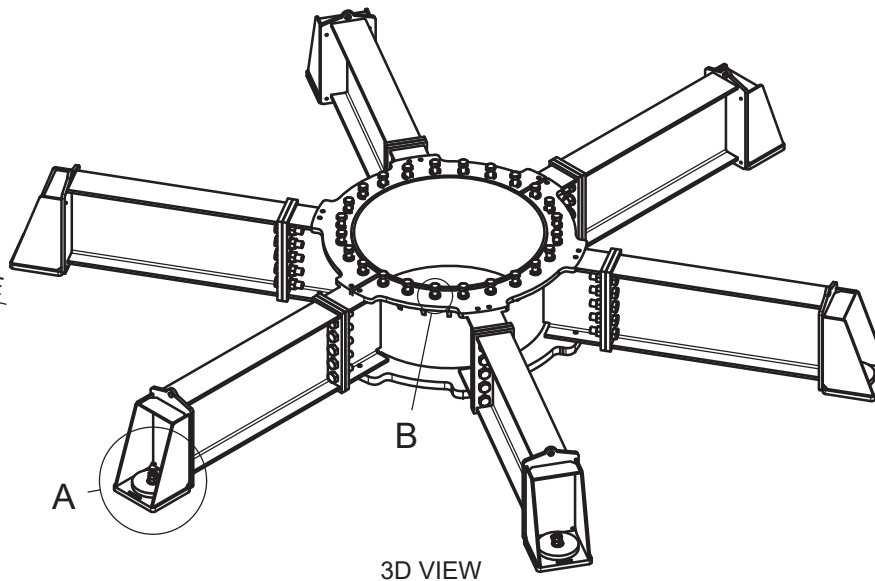
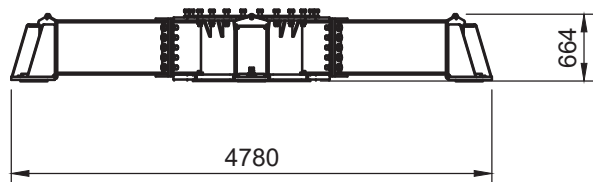


PLAN VIEW

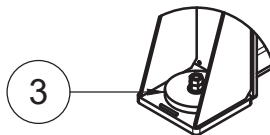


3D VIEW



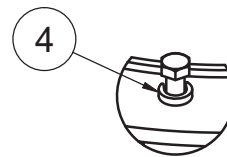
ELEVATION VIEW

DETAIL A

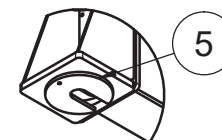


THRUST WASHER & ADAPTORS DETAIL

DETAIL B



MONOPOLE HOLDING DOWN BOLTS DETAIL



SHIM PLATES DETAIL

25m FLI PINE TREE PILE FRAME ASSEMBLY

ITEM	DESCRIPTION	QTY
1	BASE FRAME FOR 25m FLI PINE TREE	1
2	PILE BEAM	6
3	THRUST WASHER	6
4	VARIETY SPACER PLATES	48
5	VARIETY SHIM PLATES	18

DO NOT SCALE IF IN DOUBT ASK	
ALL WELDS TO BE CONTINUOUS I.E. "PICKLE FREE"	
REMOVE ALL SHARP EDGES AND BURRS	
ENSURE ALL HARD STAMP CHARACTERS ARE VISIBLE AFTER GALVANISATION	
UNLESS OTHERWISE STATED:-	
MATERIAL:- GRADE AS PER FLI LTD FORM MD019	
FINISH:- GALVANISED TO BS EN ISO 1461	
DIMENSIONS:- MILLIMETRES (mm)	
WELD INSP:- AS PER NISS LATEST EDITION ANNEX 'B'	
TOLERANCES:-	
CUT LENGTH	±2mm
HOLE CENTRES	±2mm
ANGULAR CUT	±0.25°
FABRICATED ASSY	±3mm
PCD	±1mm
CERTIFIED TO EXECUTION CLASS EXC2	
NON PRELOADED BOLTING ASSEMBLIES TO BS EN 15048-1	

NOTES:-

A	09/12/25	FIRST ISSUE	JDG
ISSUE	DATE	MODIFICATION	CKD

FLI structures
FRANCIS & LEWIS INTERNATIONAL LTD
TEL: +44 (0)1452 722200 WEB: WWW.FLI.CO.UK

DATE: 09/12/25	SCALE: NTS	F&L REF: 2000-0285
DRN: EJC	CKD: JDG	APPD:

CUSTOMER
ORDER No.
TITLE

DRG No. SK4860	REV A
----------------	-------