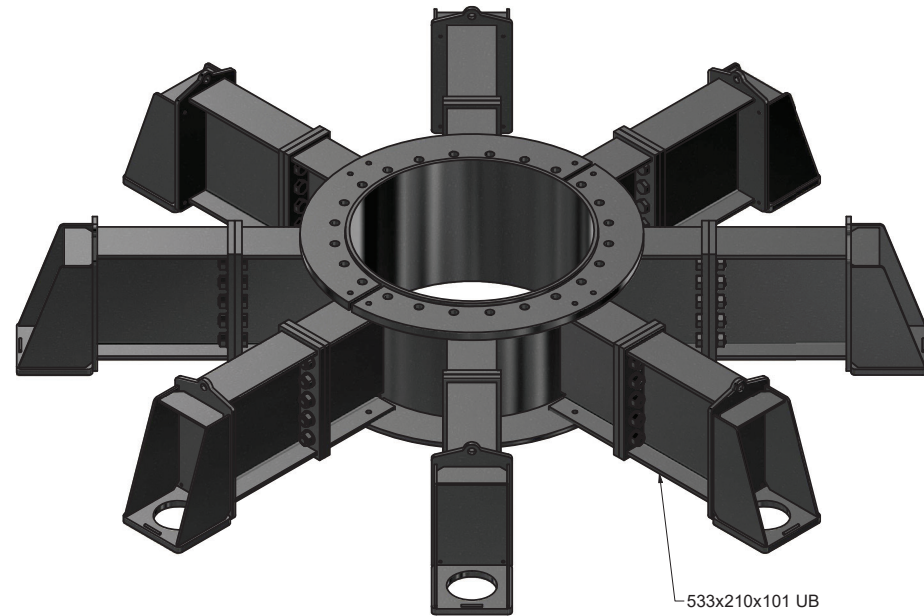
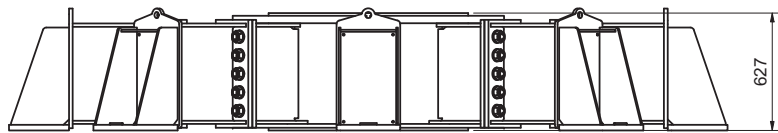


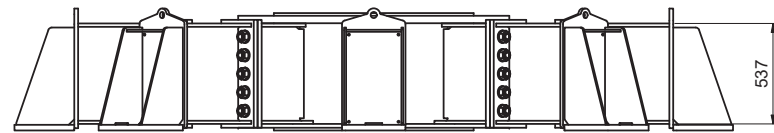
PLAN



3D VIEW



ELEVATION



ELEVATION

ORIGINAL FRAME NUMBER	COMPATIBLE TOWER TYPES	FRAME CAPACITY			FRAME WEIGHT	FRAME PCD	MAXIMUM DEFLECTION
		OTM	SHEAR	WEIGHT			
HPF283	FLI DM4 (UP TO 20m), FLI DM3 (UP TO 20m)	1250 kNm	90 kN	100 kN	3350 kg	MIN 2.5 m MAX 6 m	0.15°

DO NOT SCALE
IF IN DOUBT ASK

THE COPYRIGHT OF DESIGN, DETAIL AND INQUIRY CONTAINED OR IMPLIED IN THIS DRAWING AND STORED BY FRANCIS & LEWIS INTERNATIONAL LTD IS RESERVED AND NOT TO BE REPRODUCED OR TRANSMITTED IN ANY FORM OR BY ANY MEANS, ELECTRONIC OR MECHANICAL, INCLUDING PHOTOCOPYING, RECORDING, OR BY ANY INFORMATION STORAGE AND RETRIEVAL SYSTEM. ALL RIGHTS RESERVED. UNLESS OTHERWISE STATED, COPYRIGHT FRANCIS & LEWIS INTERNATIONAL LTD.

ALL WELDS TO BE CONTINUOUS
I.E. "PICKLE FREE"

REMOVE ALL SHARP
EDGES AND BURRS

ENSURE ALL HAND STAMP CHARACTERS
ARE VISIBLE AFTER GALVANISATION

UNLESS OTHERWISE STATED:-

MATERIAL:- GRABE AS PER FLI TD M0019

FINISH:- GALVANISED TO BS EN ISO 1461

DIMENSIONS:- MILLIMETRES (MM)

WELD INSP:- AS PER NISSS LATEST EDITION ANNEX 'B'

TOLERANCES:-

CUT LENGTHS = ± 2mm

HOLE CENTRES = ± 2mm

ANGULAR CUT = ± 0.2°

FABRICATED ASSY = ± 3mm

PCD = ± 1mm

FOR CE MARK & EXECUTION CLASS REFER TO RELEVANT PD

NON PRE-CAGED BOLTING ASSEMBLIES TO BS EN 15048-1

NOTES:-

REV. NO. DATE

REV. NO. DATE

REV. NO. DATE

REV. NO. DATE

REV. NO. DATE

REV. NO. DATE

REV. NO. DATE

REV. NO. DATE

REV. NO. DATE

REV. NO. DATE

REV. NO. DATE

REV. NO. DATE

REV. NO. DATE

REV. NO. DATE

FLI structures

FRANCIS & LEWIS INTERNATIONAL LTD

Tel: +44 (0)1462 733333 WEB: www.fli.co.uk

DATE: 11/04/2025

DESIGNER: JGD

CHECKER: JGD

DATE: 11/04/2025

PROJECT: STANDARD PRODUCT

DESCRIPTION: N/A

TITLE: 8 PILE FRAME TO SUIT
FLI DM3 & DM4

TOTAL WEIGHT: N/A DRG. No. SK4742